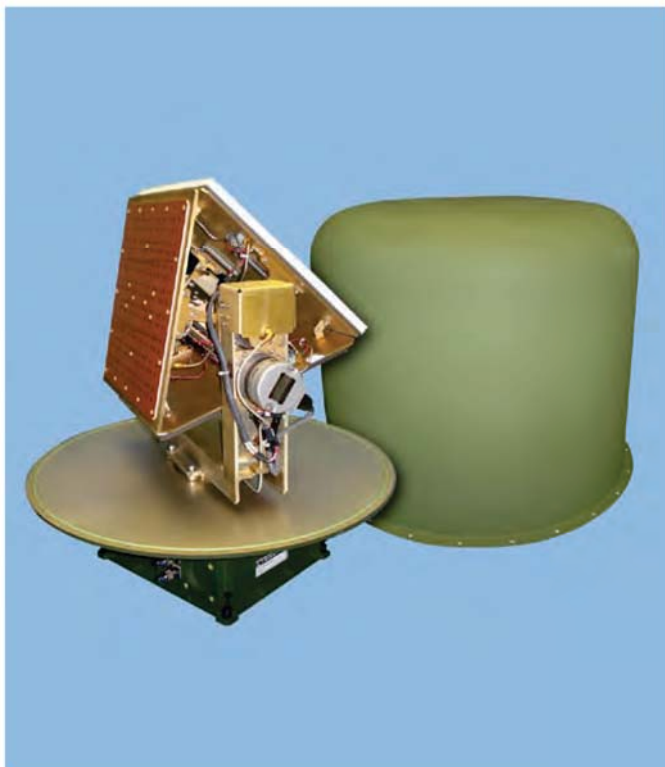




RVT-3000T Triband Remote Video Terminal



STANDARD FEATURES:

- L/C/Ku-Band Operation in Single Unit
- C-Band Panel Provides Simultaneous CONUS/OCONUS Operation
- High Gain and Large Instantaneous Bandwidth
- Ruggedized, High Dynamic 2-Axis Positioner
- Built In ACU, Servo, & Power Supply
- Flexible Command and Status Interface
- Rugged and Lightweight – 15 min. Setup time

SYSTEM OPTIONS:

- Bi-Directional Capability
- High Gain Ku-Band Panel (+31 dBic)
- DDL/S-Band (1625 - 2500 MHz)
- L/S/C/Ku-Band Operation is single unit
- Stabilization for Shipboard and OTM Operation
- Adjustable Tripod Available for Ground Slope Variation
- Transit Cases Available for Transport

APPLICATIONS/PLATFORMS:

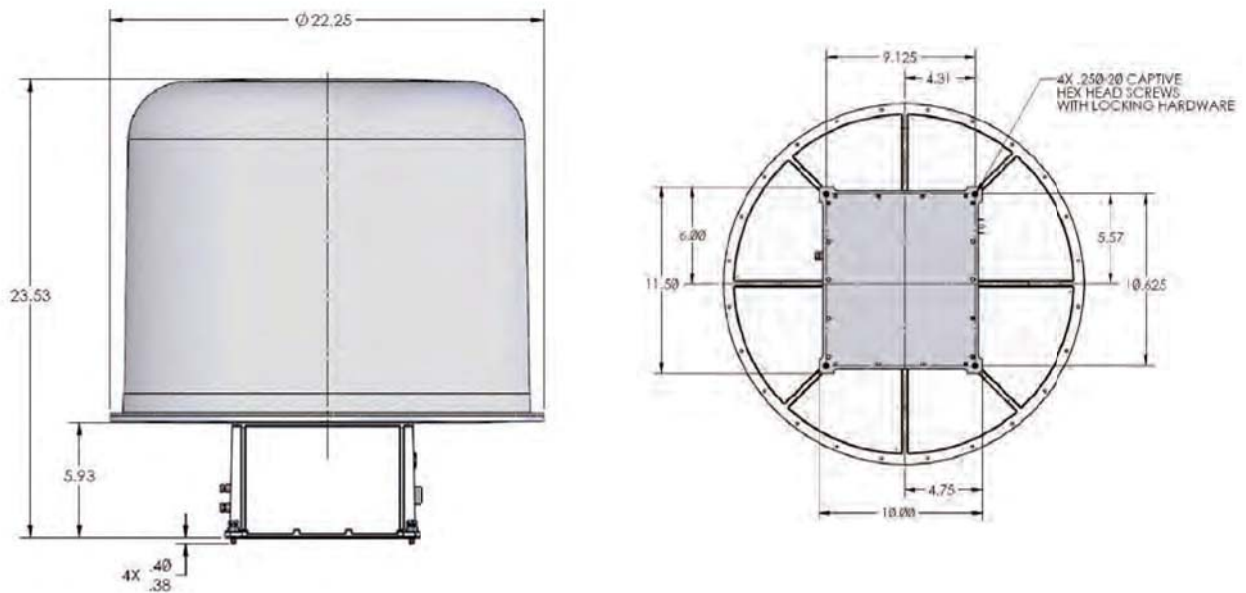
- Remote Video Terminal
- Medium Range Ground Data Terminal (GDT)
- Manpack, Fixed Shipboard and OTM Operations
- Homeland Security/Border Surveillance, Data Relay
- Shadow 200, Hunter, Predator, Pioneer, Raven, ER/MP, Watchkeeper, & Firescout Unmanned Air Systems

The RVT-3000T Triband Remote Video Terminal is a mature field proven product that serves the military tactical environment. The system features a ruggedized antenna positioner assembly suitable for the harsh tactical environment, and includes separate flat panel arrays. The three antenna arrays allow this triband system the capability to operate in three discrete bands for datalink communications for a wide variety of UAS platforms. The RVT-3000T communicates with legacy L and C-Band systems, and provides Ku-Band Tactical Common Data Link (TCDL) capability.

The RVT-3000T antenna system includes integrated servo and control systems electronics, low noise amplifiers, and radome. Switching to a new frequency band is easily accomplished in less than 5 seconds through a flexible software interface. This significantly reduces system downtime by eliminating the need for physical band reconfiguration inside the radome by maintenance or support personnel. Set up time is less than fifteen minutes, and the system weighs less than 55 lbs.

Optional upgrades for the RVT-3000T include other components, such as diplexers, SSPA's, and multi channel rotary joints so the system can provide 2-way communications between the ground and airborne system. The system can also accommodate the integration of GPS, compass, and inclinometer for On-The-Move Operation (OTM). The combination of small size, rapid deployment, high gain, large instantaneous bandwidth, and dynamic capability directly benefit the tactical user by providing a datalink for Wideband Line-of-Site, and Beyond-Line-of-Site communication at high data rates.

Innovative Antenna Solutions



Antenna Performance*	
Frequency	
L-Band	1710 – 1850 MHz
C-Band (CONUS)	4.4 – 4.95 GHz
C-Band (OCONUS)	5.25 – 5.85 GHz
Ku-Band	14.4 – 15.35 GHz
Aperture Gain	
L-Band	+14 dBi (min)
C-Band (CONUS)	+17 dBi (min)
C-Band (OCONUS)	+18 dBi (min)
Ku-Band	+25.4 dBi (min)
Ku-Band (Hi Gain Option)	+31 dBi (min)
Polarization	
L-Band	Linear, Vertical
C-Band	Linear, Vertical
Ku-Band	RHCP
Beamwidth (Nominal Mid-Band)	
L-Band	32°(Nom)
C-Band (CONUS)	16°(Nom)
C-Band (OCONUS)	13°(Nom)
Ku-Band	4°(Nom)
Dynamic Capability	
Velocity	45°/sec
Acceleration	60°/sec ²
Positioning Range	
Elevation	180° (continuous)
Azimuth	360° (continuous)
Antenna Pointing Accuracy	0.15°
System Weight (packaged in transit cases)	< 55 lbs.
Size	22.53" Height x 22.25" Diameter
Communication Interface	RS-422 standard (RS-232, RS-485, Fiber Optic, Ethernet also available as options)
Power Interface	10-30 VDC; 70W peak, 20 avg.

* Specifications subject to change

Innovative Antenna Solutions