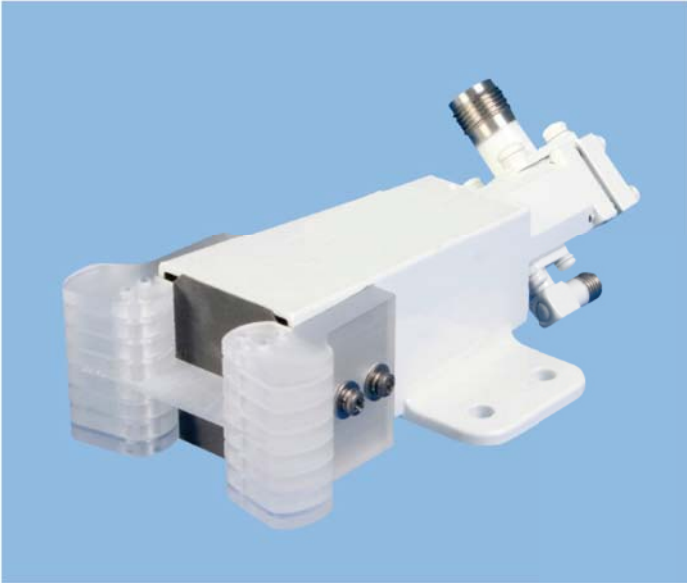




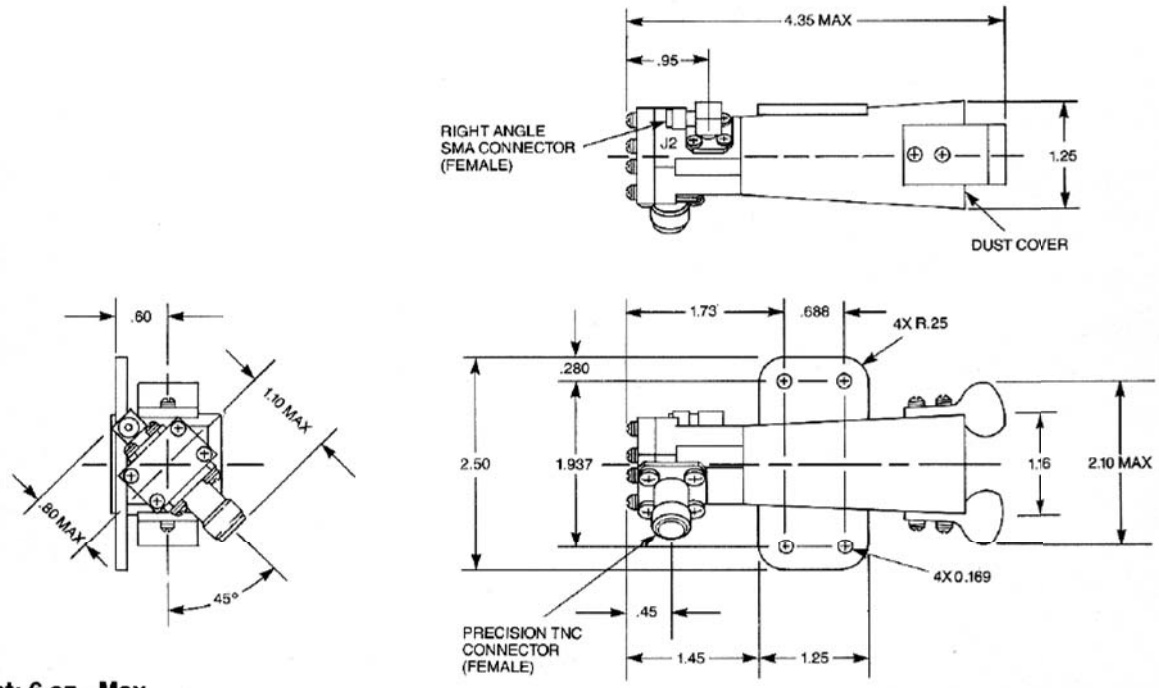
Circularly Polarized High Power Horn Antennas - 201614



- Shaped Beamwidth
- Greater than Octave Bandwidths
- LHCP or RHCP Polarization
- Designed to MIL-E-5400

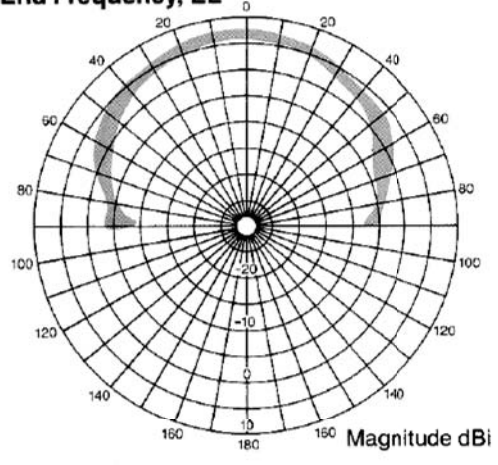
Designed specifically for airborne EW applications. This circularly polarized horn antenna utilizes "lenses" to obtain customized beamwidths. Operating over wide bandwidths, these devices can be operated in the KW range at 5% nominal duty cycle. A sampling port is provided for selective monitoring of radiating outputs.

Electrical Performance Specifications				
Frequency Range:	6.0 to 18.0 GHz			
VSWR:	1.9:1 max.			
Polarization:	Circular (LHCP or RHCP)			
Axial Ratio (Boresight):	3 dB max.			
C.P. Beamwidth (Deg. Nom.) at:	WITH LENS		WITHOUT LENS	
	AZ	EL	AZ	EL
6.0	86	81	80	82
8.0	76	86	64	63
10.0	89	48	63	60
12.0	86	43	52	50
14.0	89	37	48	42
16.0	94	37	47	42
18.0	81	31	39	35
CP Gain (Deg. Nom.) at:	WITH LENS		WITHOUT LENS	
6.0	6.4		6.7	
8.0	7.2		8.1	
10.0	7.5		8.6	
12.0	8.2		9.7	
14.0	8.7		11.4	
16.0	9.6		11.4	
18.0	9.7		12.1	

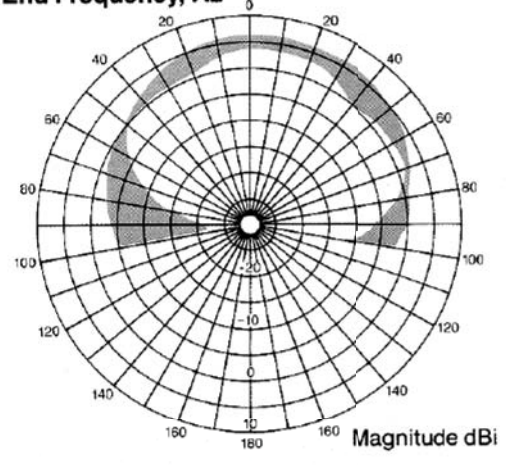


Weight: 6 oz., Max

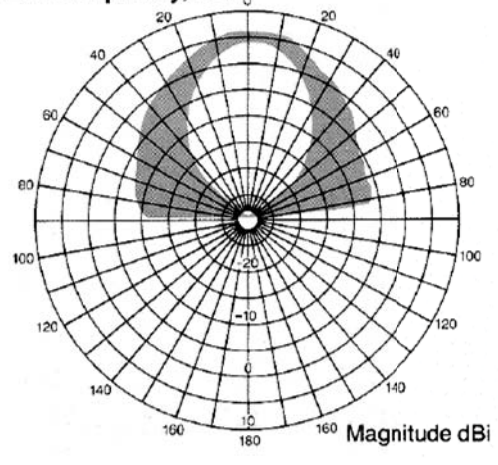
Low End Frequency, EL



Low End Frequency, Az



High End Frequency, EL



High End Frequency, Az

