



WBA-150 WideBand Blade Antenna



The TECOM WBA-150 Antenna is a wideband, omni-directional antenna. It is ideal for military ISR or Electronic Attack applications and has been flight tested on a small aircraft.

- **Small size 14.5" (H) X 4" (W) x 16" (L)**
- **Broadband response (150 MHz - 1000 MHz)**
- **Can be used as a receive or transmit antenna**
- **Scalable (L-Band/S-Band or S-Band/C-Band)**
 - Option: Manufactured with a dual aperture so that the antenna can cover L-Band/S-Band or S-Band/C-Band

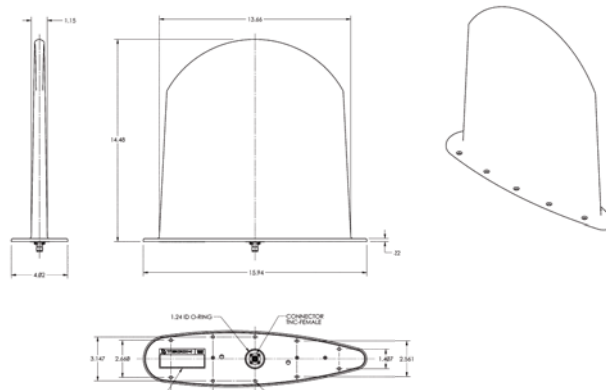
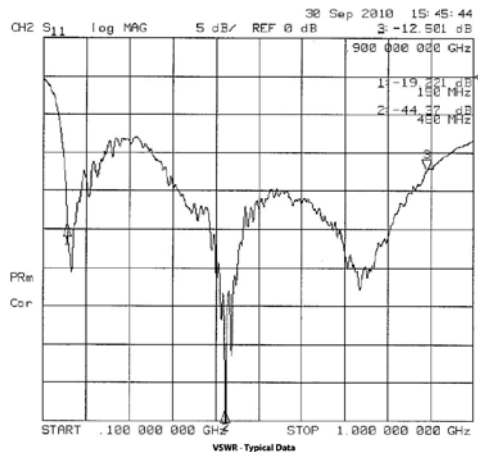
The antenna is a MIL-E-16400 design, with broadband response and is radome enclosed.

ELECTRICAL PERFORMANCE SPECIFICATIONS

Frequency	150-1000 MHz
VSWR	Better than 2:1
Power	200+watts
Polarization	Linear
Gain	2-5 dBi
RF Connector	TNC female

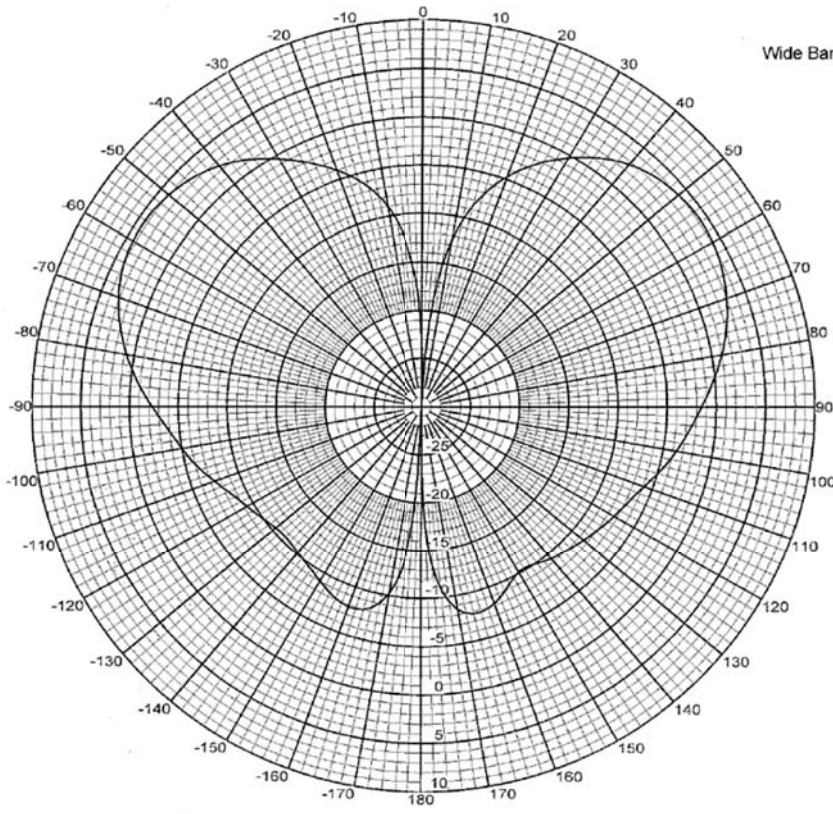
MECHANICAL SPECIFICATIONS

Height	14.5"
Width	4" (base plate)
Length	16"
Weight	<2 lbs
Construction	Foam filled fiberglass radome
Finish	Polyurethane white paint



Mechanical dimensions with enclosed radome.

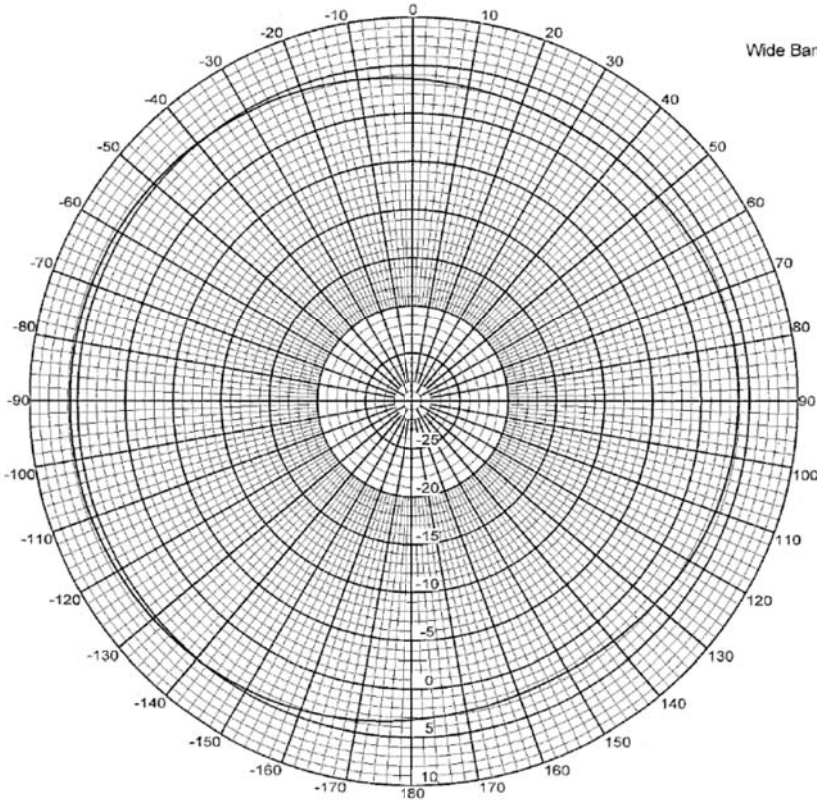
Dimensions are in inches unless otherwise indicated.



File: Wideband_Monopole_Roll.dat
Date: 30-Sep-10
Time: 21:05
Operator: KBB
Ser. no.:001
Channel: amp
Tx pol: Non Rx pol: Non
Frequency: 0.5000 GHz

Cal. status:
File: Wideband_Monopole_Roll.d
Table: AEL lowban
Chan.: amp
Units: dBi

Gain versus Roll at 500 MHz
Typical Data



File: Wideband_Monopole_Yaw.dat
Date: 30-Sep-10
Time: 21:16
Operator: KBB
Ser. no.:001
Channel: amp
Tx pol: Non Rx pol: Non
Frequency: 0.5000 GHz

Cal. status:
File: Wideband_Monopole_Yaw.da
Table: AEL lowban
Chan.: amp
Units: dBi

Gain versus Yaw at 500 MHz
Typical Data