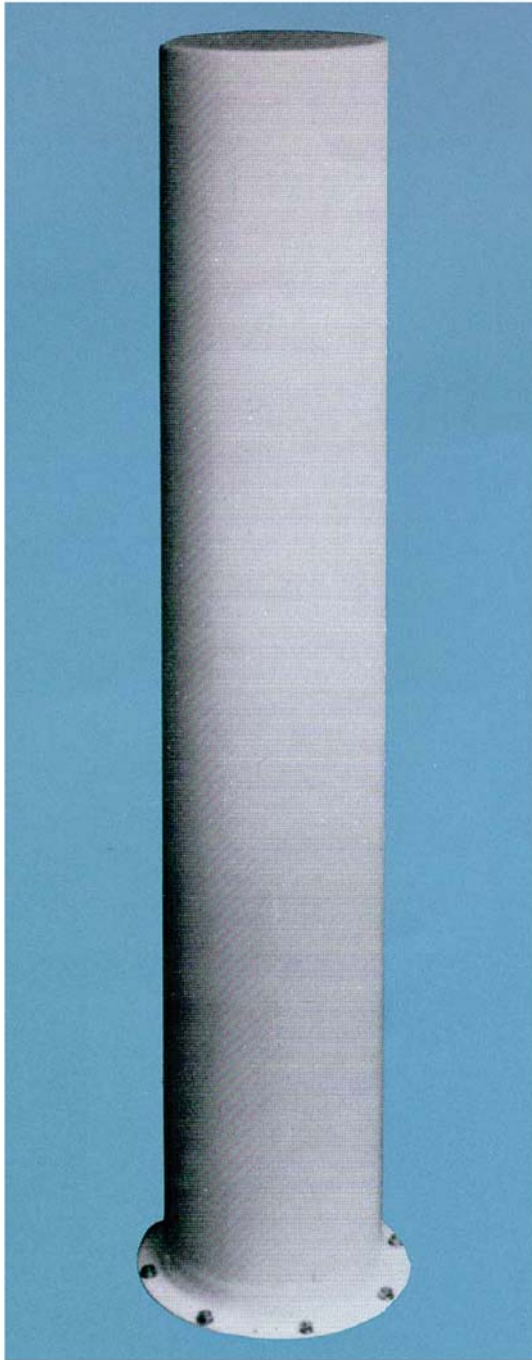




Compact Passive/Active Broadband Antenna 201191D



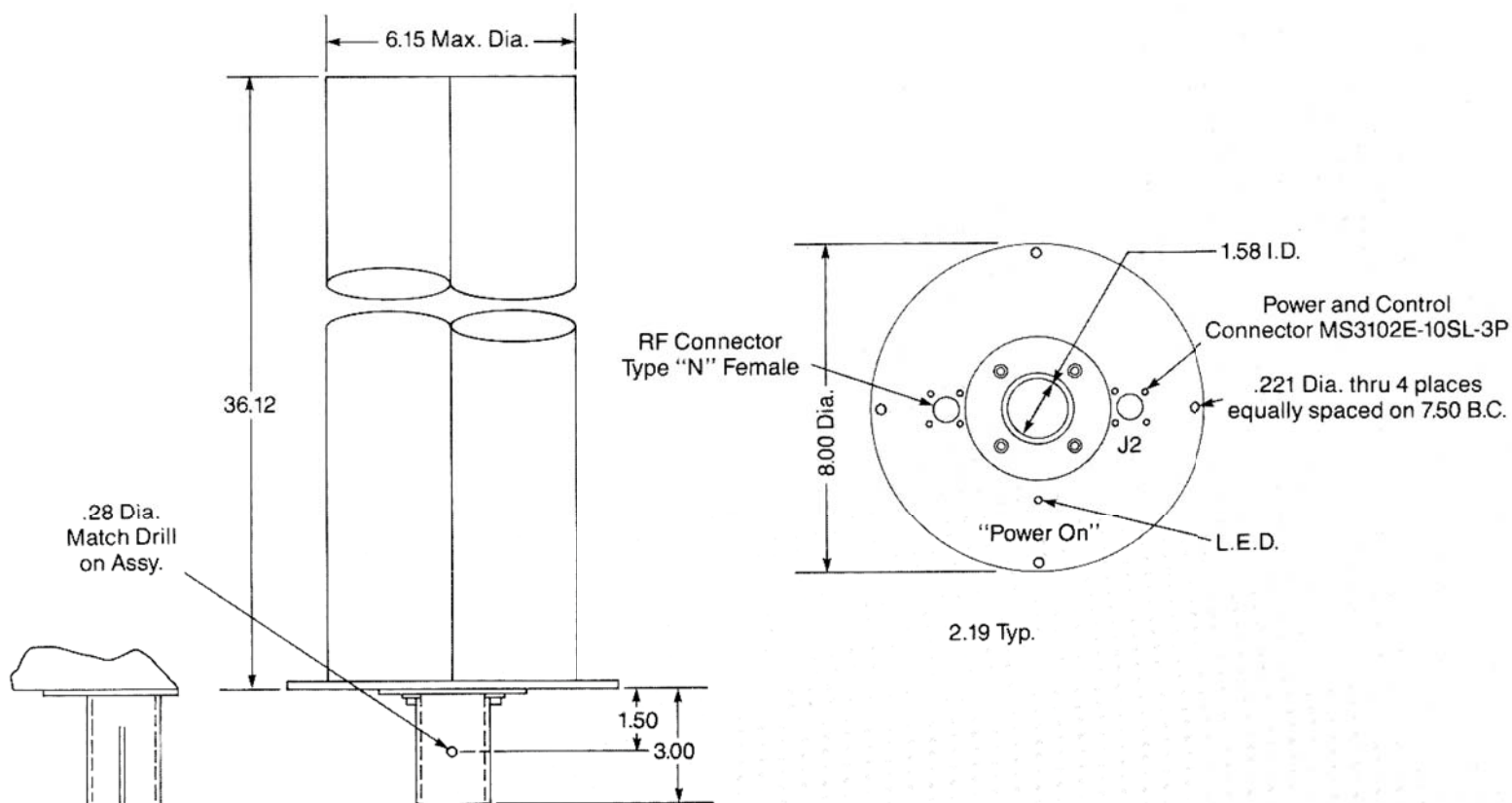
FEATURES / BENEFITS

- Omnidirectional
- Built-In Active Electronics
- Fail/Safe Passive Mode
- Compact Size, Weight
- Radome Protected Design

TECOM Type 201191D is a new small size 30 Mz to 1.0 GHz omnidirectional surveillance antenna, that incorporates active filter/amplifier circuitry for exceptional gain over the full bandwidth. In addition, the passive mode of the antenna provides a useable backup signal for reception of strong signals. (See specifications)

The 201191D is a six inch diameter, twelve pound unit, that is thirty six inches above the flange. The antenna can be mounted to the 3.0 inch high pipe extension, or directly to the 8.0 inch diameter flange. A Type N connector, LED, amplifier status indicator and power connector are located on the base plate, making vehicle or ship board installation fast and convenient.

The antenna array has an integral filter/amplifier (14 dB gain) that requires 25 W max, 115 V ac 60 Hz input power. A five pole, high pass filter ($F_c = 27$ MHz) yields 40 dB rejection at 20 MHz. Other filter characteristics can be user specified.



SPECIFICATIONS

Characteristic	Limit	Notes:
Type No.	201191D	(1) Via application of 115V, 60Hz to pins A&B
Frequency Range	30-1000 MHz	(2) Into amplifier Polarization Vertical
Polarization	Vertical	(3) Amplifier output
Modes	Passive/Active (1)	(4) Mating Conn. supplied with each unit
Fail Safe Mode	Passive	
Active Amplifier Gain	14 dB Min	
Active Mode NF.	5.0 dB Max (2)	
Active AActive Mode Return Loss	9.5 dB Min (3)	
Active Pwr. Consumption	25W Max @ 115 VAC, 60 Hz	
Passive Ret. Loss @ Input	6.0 dB Min @ 150 MHz 9.5 dB Min @ 500 MHz	
Passive Dipole Gain	- 40 dBi Min @ 30 MHz - 17 dBi Min @ 100 MHz 0 dBi Min @ 1000 MHz	
High Pass Filter	5 Pole w/Fc = 27 MHz	
Rejection @ 20 MHz	40 dB Min	
Output RF Conn	Type "N" Female	
Power Conn.	MS3102E-10SL-3P (4)	
Finish	Matte Gray	
Size	See Diagram	
Weight	12 Lbs.	