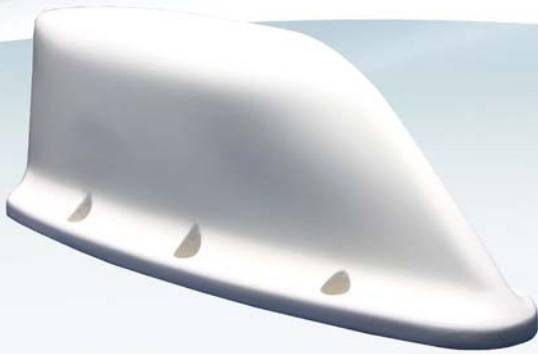


T-4100 INMARSAT LOW-GAIN ANTENNA



FEATURES

- Exceeds INMARSAT and ARINC 741 performance specifications
- Compatible with all INMARSAT-approved data terminals
- Excellent performance under all route conditions, including polar
- Supports Iridium, INMARSAT and GPS aeronautical voice and data services
- Low-profile, low-drag design
- Simple, low-cost installation

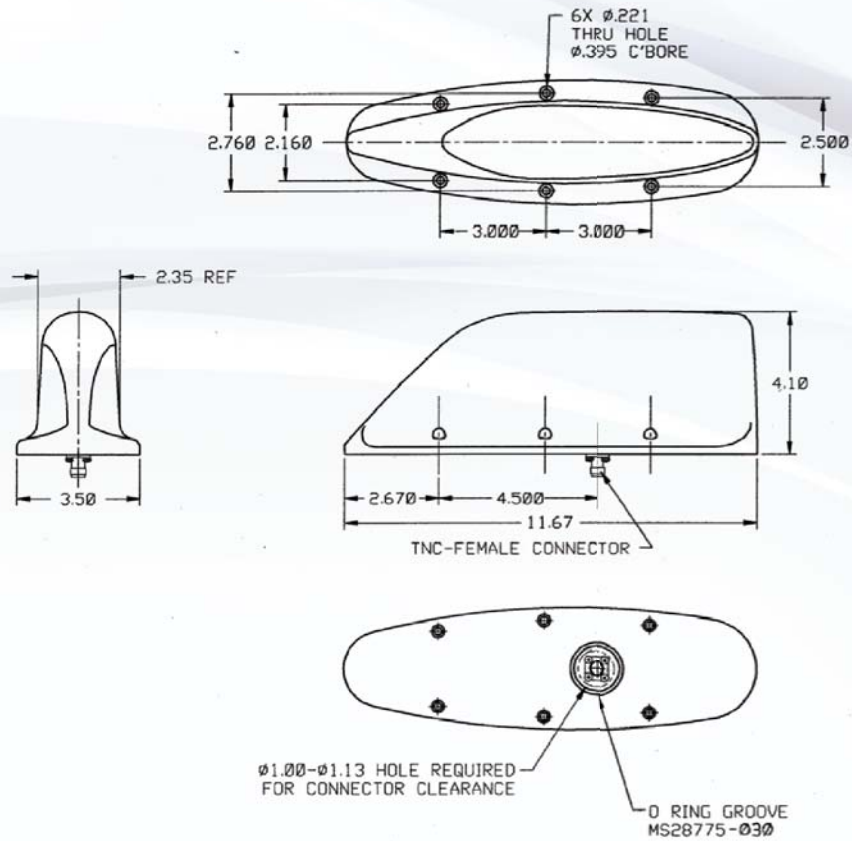
ANTENNA ASSEMBLY

ELECTRICAL SPECIFICATIONS

Operating Frequency	
Receive	1525.5 - 1560.0 MHz
Transmit	1626.5 - 1660.5 MHz
Antenna Coverage	> 85% of the upper hemisphere, 5° above the horizon
Receive Figure of Merit	> -26 dB/°K (antenna combined with diplexer/LNA)
Polarization	Right hand circular
Impedance	50 ohms
VSWR	< 1.5:1
RF Input Power	100 watts max.

MECHANICAL SPECIFICATIONS

Dimensions	4.09"H x 3.5"W x 11.67"L (104mm x 89mm x 296mm)
Weight	1.3 lbs. (.59 kg)
Finish	White polyurethane enamel
Connector	TNC female



LNA/DIPLEXER

ELECTRICAL SPECIFICATIONS

Gain	56 dB nominal
Transmit Insertion Loss	< 0.6 dB
Receive Noise Figure	< 1.6 dB
Transmit-Receive Rejection	> 120 dB
Power Requirement	110 VAC, 400 Hz / 28 VDC

MECHANICAL SPECIFICATIONS

Dimensions	1.97"H x 7.76"W x 11.05"L (50mm x 197mm x 280mm)
Weight	6 lbs. (2.72 Kg)
Connector	TNC female (antenna)
	TNC female (receive)
	N female (transmit)